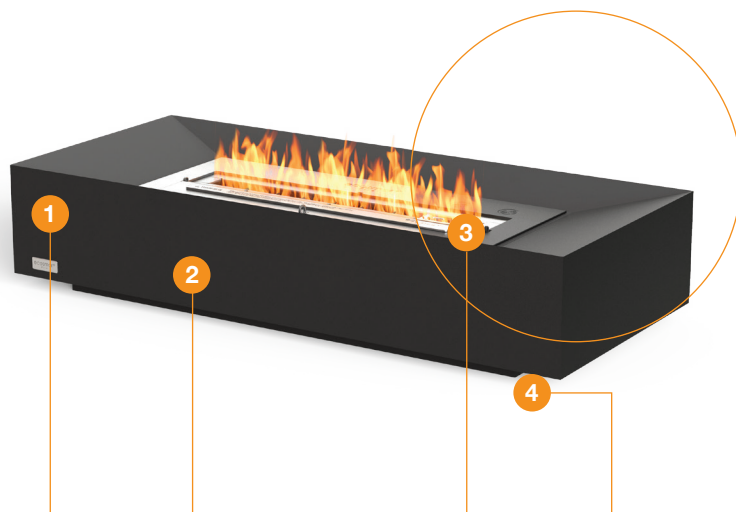


Grate 30



Grate 30 Design features



1. Fluid™ Concrete

Incredibly strong yet relatively lightweight, EcoSmart's concrete products incorporate revolutionary Fluid Concrete Technology. Fluid features a stain and impact-resistant barrier that protects the concrete from environmental weathering – even under extreme conditions and long UV exposure.

2. Surround Colour

Grates are made from durable Fluid Concrete in a bold graphite concrete colour.

Convert an Existing Fireplace in Minutes

Transforming an existing wood burning fire into a clean burning bioethanol fireplace is easy. Simply install the grate on a level platform and fill it with liquid bioethanol. Then sit back and relax.

3. Burner Colours

Available with a Stainless Steel or Black Burner.

Ground Fixing Brackets

Models come with fixing brackets for permanently locating into a fixed position.

Low Maintenance

Bioethanol Fireplaces don't leave any carbon residue, so they are incredibly easy to keep clean. Just wipe them down with a damp cloth every now and then.

Warm your Home, Not the Planet

Burning bioethanol fuel doesn't produce any smoke, so you can use an EcoSmart smokeless fireplace grate with or without an operational chimney.

As traditional wood burning fireplaces lose a lot of heat through the chimney, we recommend sealing off the chimney to increase efficiency. You can do this by closing the dampener or blocking off the chimney with a metal plate.

4. Articulating Feet

Our models feature 360° height-adjustable articulating feet, so you can achieve a perfectly level and stable model before operating the fireplace.

Installation

Install only after all gas connections or pipe lines have been disconnected and made safe by an appropriately qualified and licensed professional.

Global Compliance

This model complies with existing standards in the USA, Europe, UK and Australia. O-TL listed to UL1370, EN 16647 BSI Certified and ACCC Safety Mandate compliant.

Included Accessories



Jerry Can with Safety Spout & e-NRG bottle adaptor



Lighting Rod & Lighter



XL Baffles

Optional Accessories



Plasma Fire Screen






Twin Feet Fixings

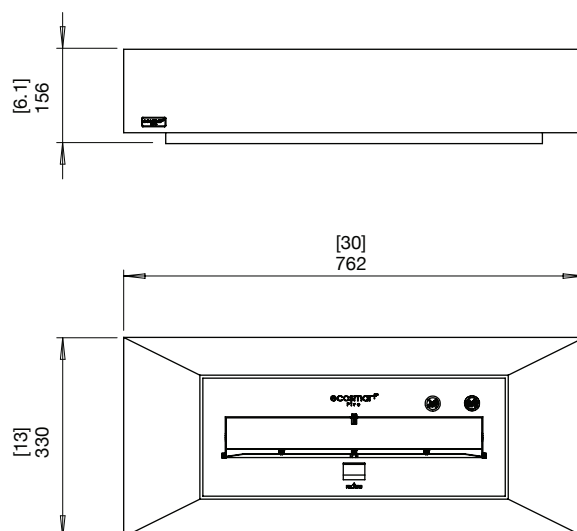
Grate 30 Specifications

Grate 30 is available for smaller fireplace settings. The ventless and self-contained Grate Series can simply be slipped into pre-existing fireplaces and lit within minutes.

Burner Ventilation and Efficiency*

Dimensions L x W x H mm/in	Compatible Burner	Fuel Capacity	Heats on Average (Indoors)	Thermal Output Net (MAX per burner)	Approx. Burn Time	Minimum Room Size
762 x 330 x 156 30 x 13 x 6.1	XL500	5 L [1.3 Gals]	Over 40 m ² [430.6 ft ²]	12 MJ/h 11,430 BTU/h 3.35 kW	10 - 13 hours	80 m ³ [2,825 ft ³]

Application	Indoor
Surround Colour	 Graphite ESF.G.GRA.30.GH
Burner Colours	 Stainless Steel  Black
Materials	Fluid Concrete Surround, Grade 304 Stainless Steel Burner, with optional Black Ceramic Coating
Approx. Weight	18.7kg [41.1lbs] Weight includes burner.
Fuel Type	e-NRG Bioethanol / e-NRG.com



*These values are indicative only and may vary depending on the model purchased, installation, and the seasonal resource used to manufacture e-NRG.

This model comes with fixing brackets for permanently locating into a fixed position.

This model complies with existing standards in the USA, Europe, UK and Australia. O-TL listed to UL1370, EN 16647 BSI Certified and ACCC Safety Mandate compliant.

FOR MORE INFORMATION PLEASE REFERENCE THE CLEARANCE & INSTALLATION MANUAL

Disclaimer: All product specifications and data are subject to change without notice and believed to be correct at the time of publication. MAD Design Group (MDG), its affiliates, agents, and employees, and all persons acting on its or their behalf (collectively, "MAD Design Group"), disclaim any and all liability for any errors, inaccuracies or incompleteness contained herein or in any other disclosure relating to any product. MDG disclaims any and all liability arising out of the use or application of any product described herein or of any information provided herein to the maximum extent permitted by law. The product specifications do not expand or otherwise modify MDG's terms and conditions of purchase, including but not limited to the warranty expressed therein, which apply to these products. No license, express or implied, by estoppel or otherwise, to any intellectual property rights is granted by this document or by any conduct of MDG. Customers using or selling MDG products not expressly indicated for use in such applications do so entirely at their own risk and agree to fully indemnify MDG for any damages arising or resulting from such use or sale. Please contact authorised personnel from MDG to obtain written terms and conditions regarding products designed for such applications. Images are indicative only.